

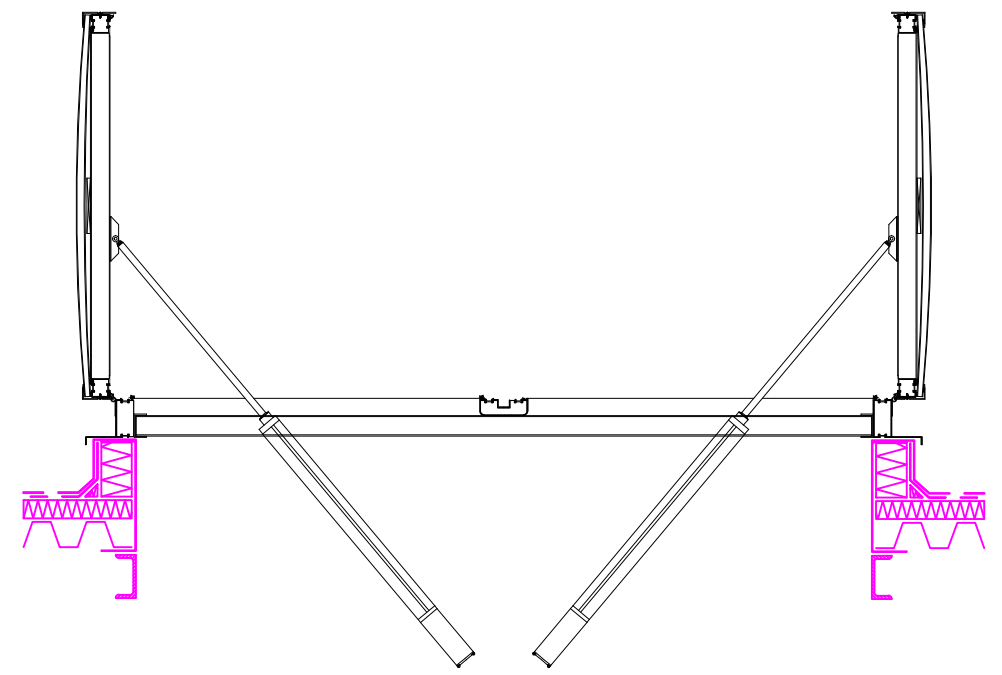
COXDOME DUO THERMA (SARV) TO BUILDERS UPSTAND SECTION A-A
SCALE: NTS

SCAPA TAPE SEAL ALL ROUND TOP OF UPSTAND TO PROVIDE ADEQUATE WEATHER PROOFING.

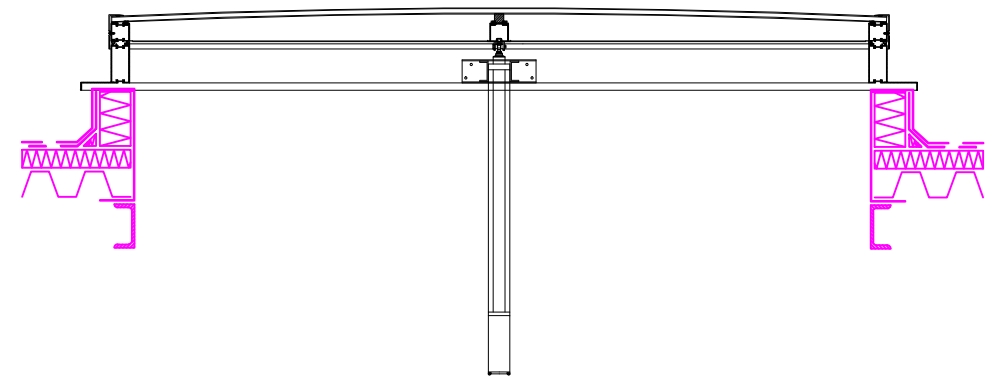
FIXINGS
FIXINGS AT 350MM CENTRES
FIXINGS TO SUIT UPSTAND APPLICATION

ALL ROOF WEATHERING DRESSED UP THE PERIMETER & OVER THE UPSTAND TO BE PROVIDED BY THE BUILDER.

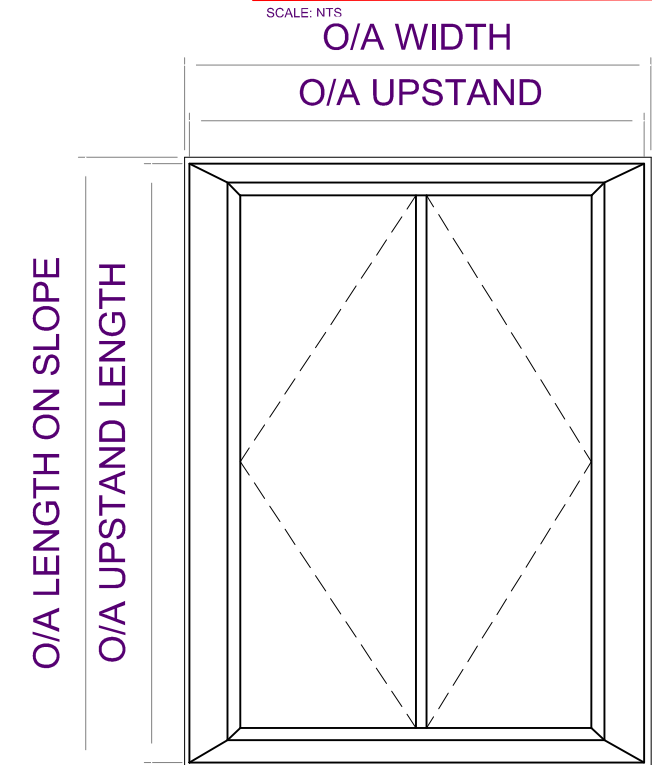
NOTE: MINIMUM UPSTAND HEIGHT REQUIREMENT 150mm.



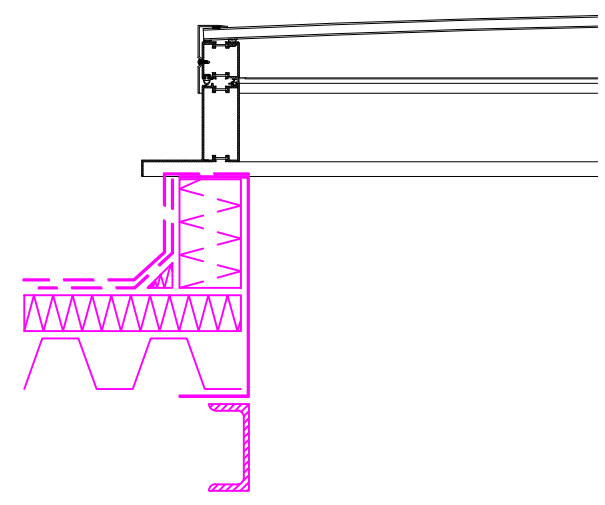
COXDOME DUO THERMA (SARV) TO BUILDERS UPSTAND SECTION A-A (OPEN POSITION)
SCALE: NTS



COXDOME DUO THERMA (SARV) TO BUILDERS UPSTAND SECTION B-B
SCALE: NTS



COXDOME DUO THERMA (SARV) TO BUILDERS UPSTAND ELEVATION VIEW
SCALE: NTS



COXDOME DUO THERMA (SARV) MULLION DETAIL
SCALE: NTS

COXDOME DUO THERMA (SARV) SPECIFICATIONS

- APPLICATION: TO SUIT BUILDERS PREPARED UPSTAND
- DESCRIPTION: NATURAL DOUBLE FLAP VENTILATOR, SUITABLE FOR VENTILATION PURPOSES
- OPERATION: DOUBLE ACTION PNEUMATIC CYLINDER (P2)/ 24 V DC SPINDLE MOTOR (M24)
- FRAME TYPE: THERMALLY BROKEN ALUMINIUM
- GLAZING TYPE OPTIONS: GLASS, POLYCARBONATE, SANDWICH PANEL
- FINISH: MILL FINISHED OR POLYESTER POWDER COATED
- ACOUSTIC VALUES: DUO THERMA TG 31dB TG ACCOUSTIC 34 dB OR 44dB
- INSTALLATION: ON PREFORMED UPSTAND/ IN GLASS ROOF CONSTRUCTION/SURFACE MOUNTED
- PROTECTION: TO MATCH GLASS ROOF CONSTRUCTION/ ENAMEL FINISH WITH *** LAYER POLYESTER POWDER COATING, LAYER THICKNESS *** mu. IN STANDARD RAL COLOUR (GROUP ***) / ANODISED/ UNTREATED (MILLED ALUMINIUM)
- TEST(S): SOFT BODY IMPACT TEST 1200J

COXDOME DUO THERMA (SARV) INPUT TABLE

COXDOME DUO THERMA (SARV) SMOKE VENTILATOR UNIT		
STRUCTURAL OPE INC. FINISHES		
FINISHED UPSTAND SIZE		
ROOF ANGLE		
FREE AREA REQUIRED		
SPECIFICATION PAINT FINISH		
VENTILATOR GLAZING TYPE		
AUTHORISED SIGNATURE		

A GENERAL REVISIONS		13/07/15
NO.	REVISION	DATE

WILLIAM COX LIMITED
Cloverhill Industrial Estate,
Clondalkin, Dublin 22.
Tel: (01) 4605400
Email: admin@williamcox.ie

CONTRACT.

TITLE.
COXDOME DUO THERMA (SARV)
TG POLYCARBONATE

ARCHITECT.

MAIN CONTRACTOR.

SCALE.	DWG. BY.	DWG. No.
DATE. 13/07/15		WCL/TD/116A