

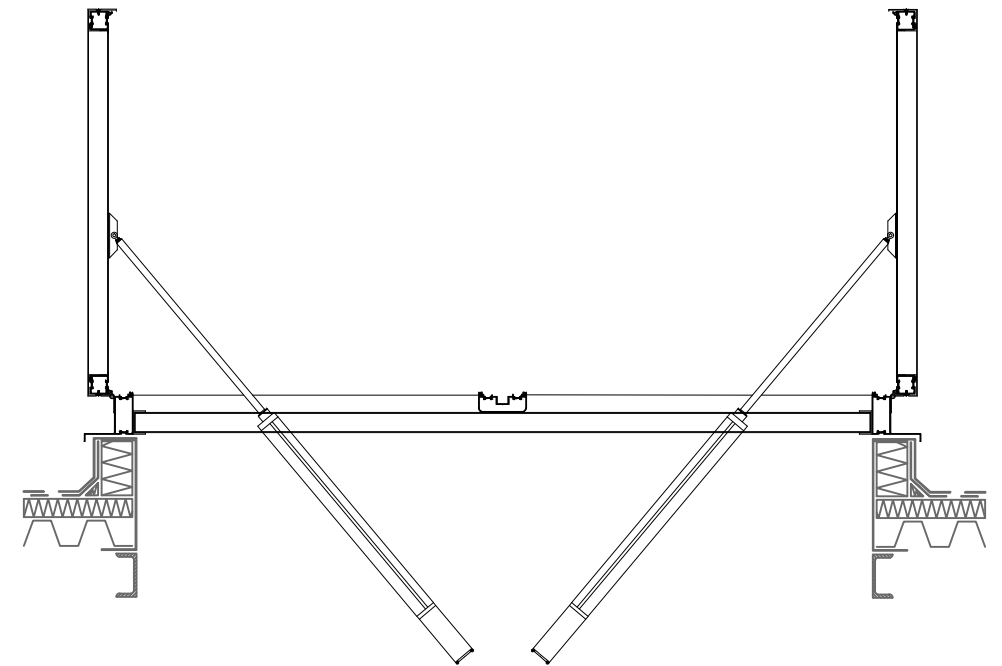
**WILLIAM COX** COXDOME DUO THERMA (SARV) TO BUILDERS UPSTAND SECTION A - A  
SCALE: NTS

SCAPA TAPE SEAL ALL ROUND TOP OF UPSTAND TO PROVIDE ADEQUATE WEATHER PROOFING.

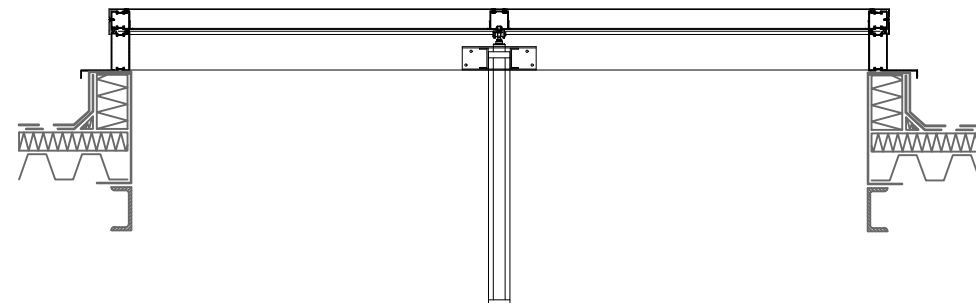
FIXINGS  
FIXINGS AT 350MM CENTRES  
FIXINGS TO SUIT UPSTAND APPLICATION

ALL ROOF WEATHERING  
DRESSED UP THE PERIMETER  
& OVER THE UPSTAND TO BE  
PROVIDED BY THE BUILDER.

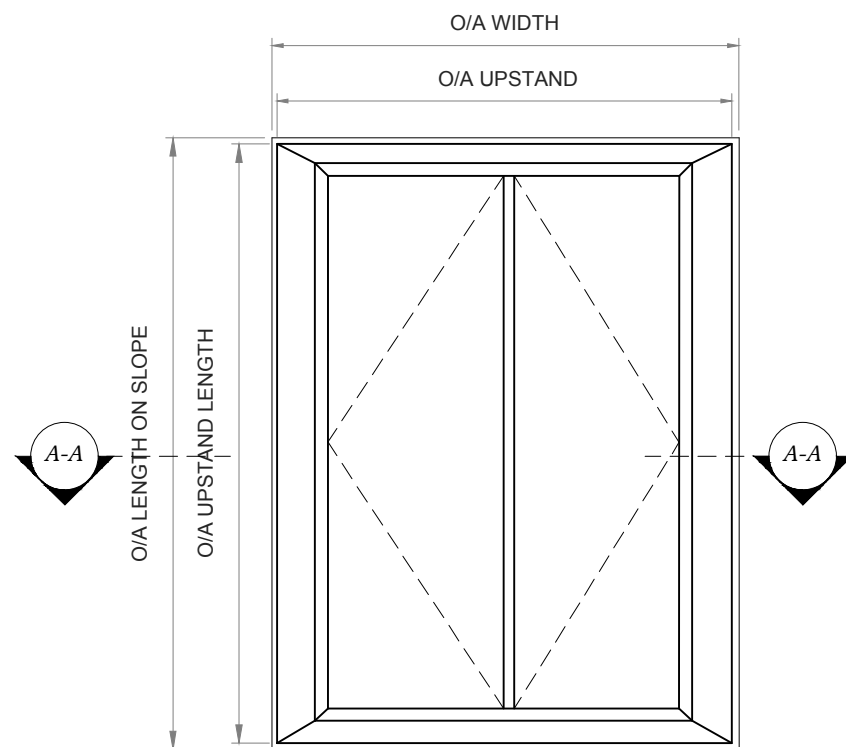
**NOTE:** MINIMUM UPSTAND  
HEIGHT REQUIREMENT  
150mm.



**WILLIAM COX** COXDOME DUO THERMA (SARV) TO BUILDERS UPSTAND SECTION A - A (OPEN POSITION)  
SCALE: NTS



**WILLIAM COX** COXDOME DUO THERMA (SARV) TO BUILDERS UPSTAND SECTION B - B  
SCALE: NTS



**WILLIAM COX** COXDOME DUO THERMA (SARV) MULLION DETAIL  
SCALE: NTS

**WILLIAM COX** COXDOME DUO THERMA (SARV) SPECIFICATIONS

- APPLICATION: TO SUIT BUILDERS PREPARED UPSTAND
- DESCRIPTION: NATURAL DOUBLE FLAP VENTILATOR, SUITABLE FOR VENTILATION PURPOSES
- OPERATION: DOUBLE ACTION PNEUMATIC CYLINDER (P2) 24 V DC SPINDLE MOTOR (M24)
- FRAME TYPE: THERMALLY BROKEN ALUMINIUM
- GLAZING TYPE OPTIONS: GLASS, POLYCARBONATE, SANDWICH PANEL
- FINISH: MILL FINISHED OR POLYESTER POWDER COATED
- ACOUSTIC VALUES: DUO THERMA TG 31dB TG ACOUSTIC 34 dB OR 44dB
- INSTALLATION: ON PERFORMED UPSTAND/ IN GLASS ROOF
- CONSTRUCTION/SURFACE MOUNTED
- PROTECTION: TO MATCH GLASS ROOF CONSTRUCTION/ ENAMEL FINISH WITH \*\*\* LAYER POLYESTER POWDER COATING, LAYER THICKNESS \*\*\*  $\mu$ , IN STANDARD RAL COLOUR (GROUP \*\*\*) / ANODISED/ UNTREATED (MILLED ALUMINIUM)
- TEST(S): SOFT BODY IMPACT TEST 1200J

**WILLIAM COX** COXDOME DUO THERMA (SARV) CONTRACTORS INPUT TABLE

COXDOME DUO THERMA (SARV) SMOKE VENTILATOR UNIT		
STRUCTURAL OPE INC. FINISHES		
FINISHED UPSTAND SIZE		
ROOF ANGLE		
FREE AREA REQUIRED		
SPECIFICATION PAINT FINISH		
VENTILATOR GLAZING TYPE		
AUTHORISED SIGNATURE		

A GENERAL REVISIONS		13/07/15
NO.	REVISION	DATE



**WILLIAM COX LIMITED**  
Cloverhill Industrial Estate,  
Clondalkin, Dublin 22.  
Tel: (01) 4605400  
Email: admin@williamcox.ie

CONTRACT.		
TITLE. COXDOME DUO THERMA (SARV) TG ALU		
ARCHITECT.		
MAIN CONTRACTOR.		
SCALE.	DWG. BY.	DWG. No.
DATE: 13/07/15		WCL/TD/114A