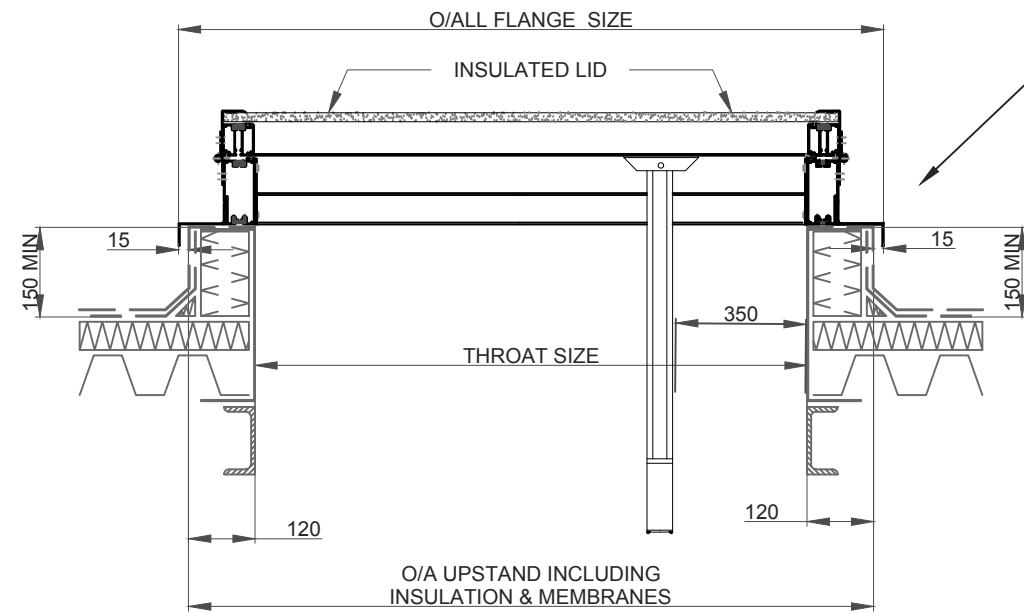


WILLIAM COX **COXDOME MONOTHERMA (SARV) TO BUILDERS UPSTAND SECTION D-D**
SCALE: NTS



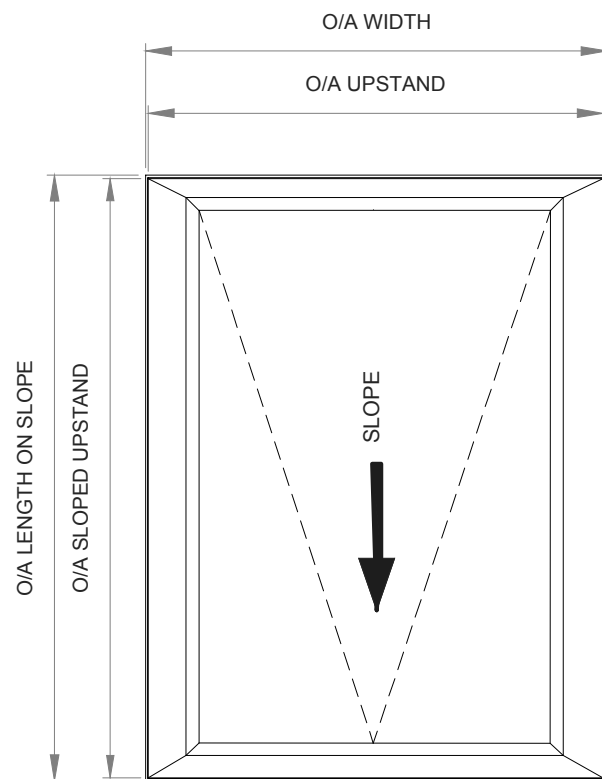
SCAPA TAPE SEAL ALL ROUND TOP OF UPSTAND TO PROVIDE ADEQUATE WEATHER PROOFING.

FIXINGS
FIXINGS AT 350MM CENTRES
FIXINGS TO SUIT UPSTAND APPLICATION

ALL ROOF WEATHERING DRESSED UP THE PERIMETER & OVER THE UPSTAND TO BE PROVIDED BY THE BUILDER.

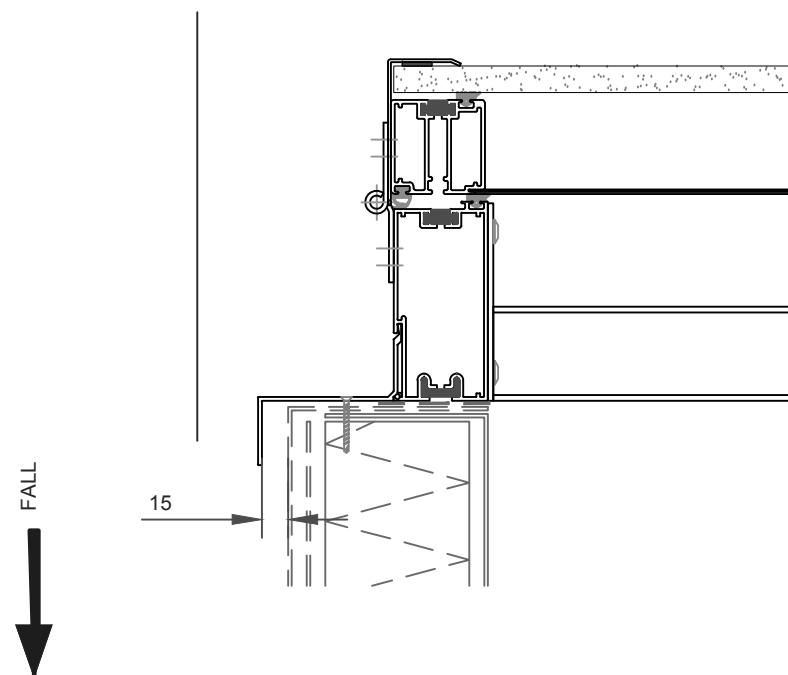
NOTE: MINIMUM UPSTAND HEIGHT REQUIREMENT 150mm.

WILLIAM COX **COXDOME MONOTHERMA (SARV) TO BUILDERS UPSTAND SECTION C-C**
SCALE: NTS



WILLIAM COX **COXDOME MONOTHERMA (SARV) ELEVATION VIEW**
SCALE: NTS

15MM TOLERANCE
EITHER SIDE OF COXDOME TO
ENSURE CORRECT FITTING



WILLIAM COX **COXDOME MONOTHERMA (SARV) MULLION DETAIL**
SCALE: NTS

WILLIAM COX **COXDOME MONOTHERMA (SARV) SPECIFICATIONS**

- APPLICATION: TO SUIT BUILDERS PREPARED UPSTAND
- DESCRIPTION: NATURAL SINGLE FLAP VENTILATOR, SUITABLE FOR VENTILATION PURPOSES
- OPERATION: PNEUMATIC CYLINDER (P2)/ 24V DC SPINDLE MOTOR (M24)
- FRAME TYPE: THERMALLY BROKEN ALUMINIUM
- GLAZING TYPE OPTIONS: GLASS, POLYCARBONATE, SANDWICH PANEL
- FINISH: MILL FINISHED OR POLYESTER POWDER COATED
- ACOUSTIC VALUES: MONOTHERMA TG 31dB TG ACOUSTIC 34 dB OR 44dB
- INSTALLATION: ON PREFORMED UPSTAND/ IN GLASS ROOF CONSTRUCTION/SURFACE MOUNTED
- PROTECTION: TO MATCH GLASS ROOF CONSTRUCTION/ ENAMEL FINISH WITH *** LAYER POLYESTER POWDER COATING, LAYER THICKNESS *** μ m, IN STANDARD RAL COLOUR (GROUP ***) / ANODISED/ UNTREATED (MILLED ALUMINIUM)
- TEST(S): SOFT BODY IMPACT TEST 1200J

WILLIAM COX **COXDOME MONOTHERMA (SARV) C CONTRACTORS INPUT TABLE**

COXDOME MONOTHERMA (SARV) SMOKE VENTILATOR UNIT		
STRUCTURAL OPENING INC FINISHES		
FINISHED UPSTAND SIZES		
ROOF ANGLE		
FREE AREA REQUIRED		
SPECIFICATION PAINT FINISH		
VENTILATOR GLAZING TYPE		
AUTHORISED SIGNATURE		

A GENERAL REVISIONS		13/07/15
NO.	REVISION	DATE



WILLIAM COX LIMITED

Cloverhill Industrial Estate,
Clondalkin, Dublin 22.
Tel: (01) 4605400
Email: admin@williamcox.ie

CONTRACT.

TITLE.
COXDOME MONOTHERMA (SARV)

ARCHITECT.

MAIN CONTRACTOR.

SCALE.	DWG. BY.	DWG. No.
DATE. 13/07/15		WCL/TD/108A