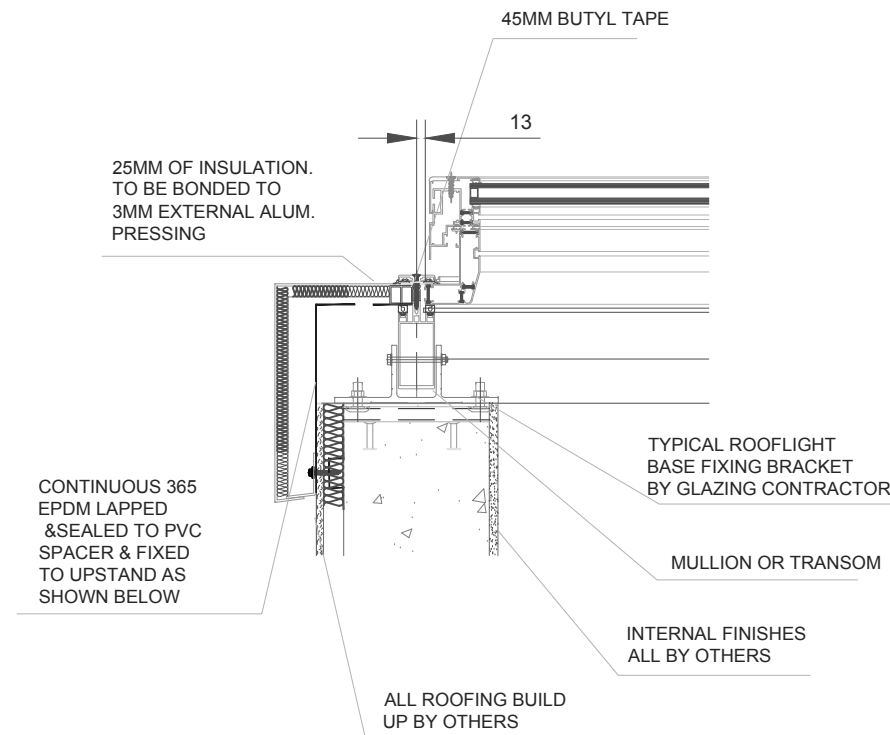
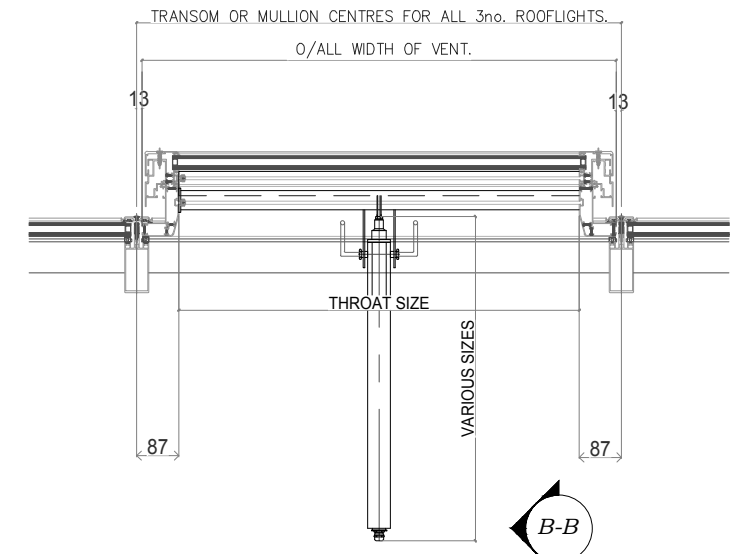


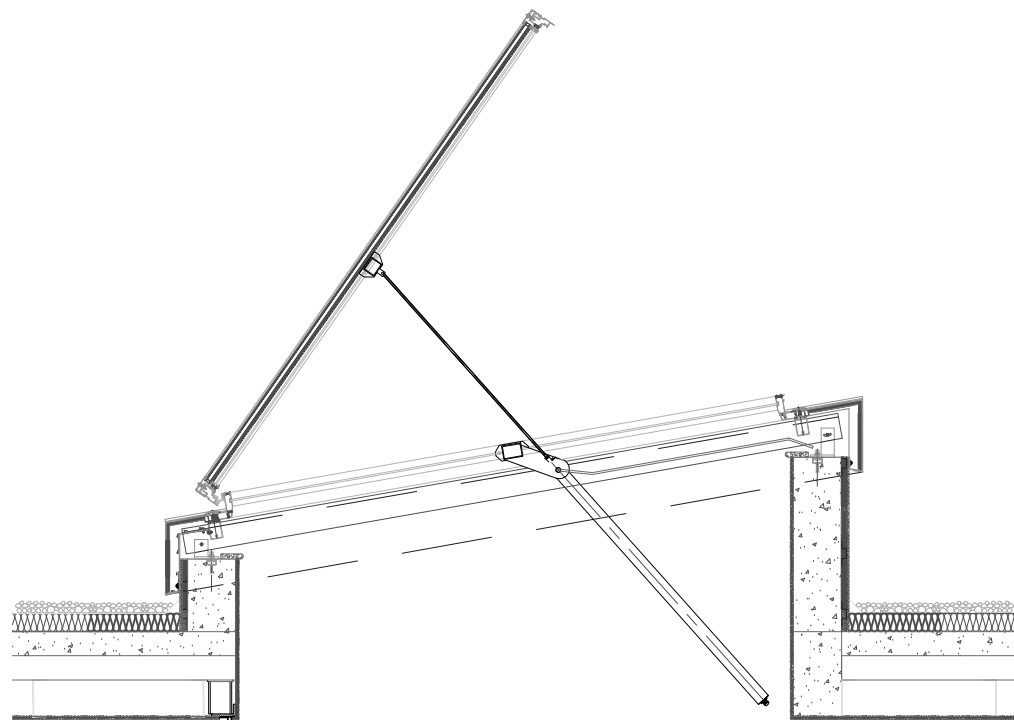
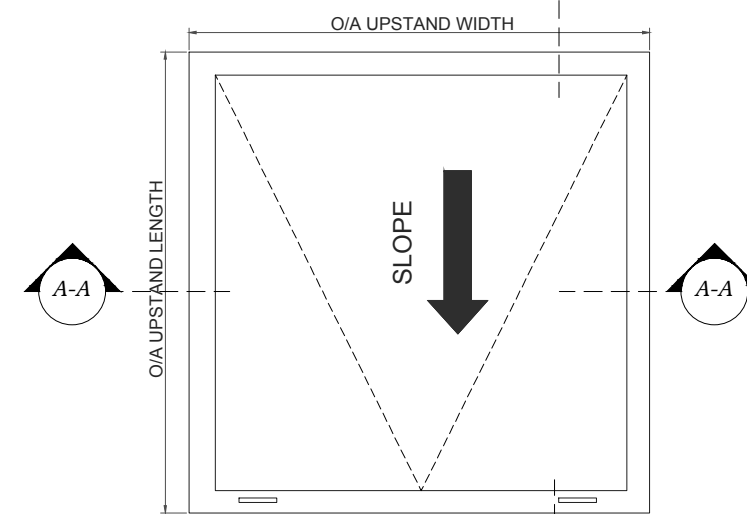
WILLIAM COX COXDOME VENTRIA (GIRV) SECTION A-A
SCALE: NTS



WILLIAM COX COXDOME VENTRIA (GIRV) TYPICAL MULLION DETAIL
SCALE: NTS



WILLIAM COX COXDOME VENTRIA (GIRV) ELEVATION VIEW
SCALE: NTS



WILLIAM COX COXDOME VENTRIA (GIRV) SECTION A-A (OPEN POSITION)
SCALE: NTS

WILLIAM COX COXDOME VENTRIA (GIRV) SPECIFICATIONS

- APPLICATION: TO BE GLAZED INTO SPECIFIC SYSTEM
- DESCRIPTION: OPENING LIGHT, SUITABLE FOR VENTILATION PURPOSES AND SMOKE & HEAT VENTILATION
- OPERATION: SPINDLE MOTOR (M24) STROKE ***mm
- FRAME TYPE: THERMALLY BROKEN ALUMINIUM
- GLAZING TYPE OPTIONS: GLASS, POLYCARBONATE, SANDWICH PANEL
- FINISH: MILL FINISHED OR POLYESTER POWDER COATED
- AIR-TIGHTNESS: EN1026:600 Pa, EN12207:CLASS 4
- WATER TIGHTNESS: EN1027:1050Pa, EN 12208 CLASS E1050
- LOAD: EN 12211: 1000Pa (=P2) DEVIATION <math>< \frac{1}{300}</math>
- STRENGTH 3000 Pa, EN 12210: CLASS 5
- TEST(S): EN 12101-2 SOFT BODY IMPACT TEST 1200J
- EXTRA: -EN 12101-2 TESTED TO 6.25 M²

WILLIAM COX COXDOME VENTRIA(GIRV) CONTRACTORS INPUT TABLE

COXDOMEVENTRIA (GIRV) SMOKE VENTILATOR UNIT		
STRUCTURAL OPE INC. FINISHES		
FINISHED UPSTAND SIZE		
ROOF ANGLE		
FREE AREA REQUIRED		
SPECIFICATION PAINT FINISH		
VENTILATOR GLAZING TYPE		
AUTHORISED SIGNATURE		

A GENERAL REVISIONS	13/07/15
NO. REVISION	DATE

WILLIAM COX
WILLIAM COX LIMITED
 Cloverhill Industrial Estate,
 Clonsilla, dublin 22.
 Tel: (01) 4605400
 Email: admin@williamcox.ie

CONTRACT.
 TITLE.
 COXDOME VENTRIA (GIRV)

ARCHITECT.
 MAIN CONTRACTOR.

SCALE. DWG. BY. DWG. No.
 DATE. 13/07/15 WCL/TD/101A