

SCAPA TAPE SEAL ALL ROUND TOP OF UPSTAND TO PROVIDE ADEQUATE WEATHER PROOFING.

FIXINGS  
FIXINGS AT 350MM CENTRES  
FIXINGS TO SUIT UPSTAND APPLICATION

ALL ROOF WEATHERING DRESSED UP THE PERIMETER & OVER THE UPSTAND TO BE PROVIDED BY THE BUILDER.

**NOTE:** MINIMUM UPSTAND HEIGHT REQUIREMENT 150mm.

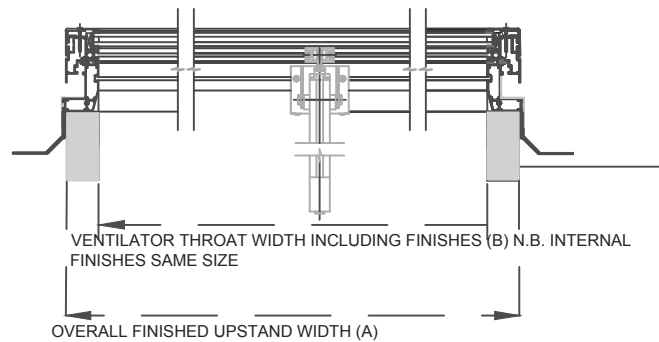
**NOTE:** TOP OF BUILDERS UPSTAND AT 10 DEGREE PITCH

BUILDERS INSULATED UPSTAND CAN BE STEEL, WOOD OR CONCRETE.

**NOTE:** BUILDERS UPSTAND TO BE A MINIMUM 100MM WIDE & STRUCTURAL

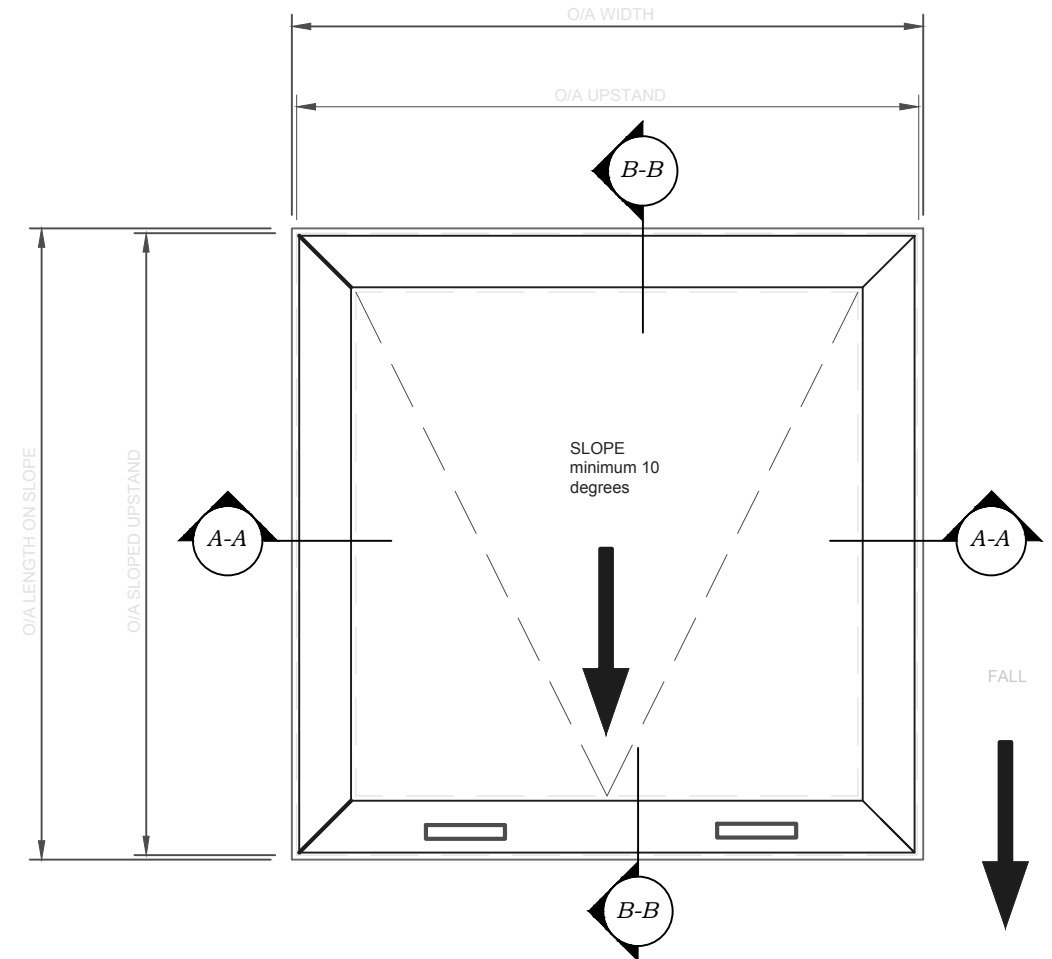
**WILLIAM COX** COXDOME VENTRIA (SARV) TO BUILDERS UPSTAND SECTION B - B1

SCALE: NTS



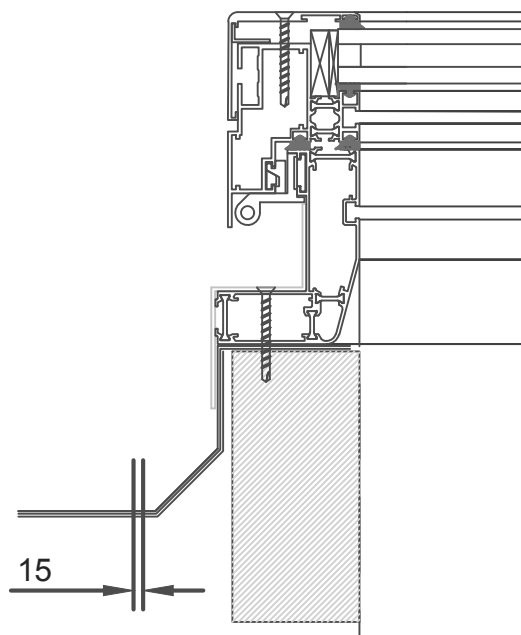
**WILLIAM COX** COXDOME VENTRIA (SARV) TO BUILDERS UPSTAND SECTION A - A1

SCALE: NTS



**WILLIAM COX** COXDOME VENTRIA (SARV) TO BUILDERS UPSTAND PLAN VIEW

SCALE: NTS



**WILLIAM COX** COXDOME VENTRIA (SARV) SECTION B-B1

SCALE: NTS

**WILLIAM COX** COXDOME VENTRIA (SARV) SPECIFICATIONS

- APPLICATION: TO SUIT BUILDERS PREPARED UPSTAND
- DESCRIPTION: OPENING LIGHT, SUITABLE FOR VENTILATION PURPOSES AND SMOKE & HEAT VENTILATION
- OPERATION: SPINDLE MOTOR (M24) STROKE \*\*\*mm
- FRAME TYPE: THERMALLY BROKEN ALUMINIUM
- GLAZING TYPE OPTIONS: GLASS, POLYCARBONATE, SANDWICH PANEL
- FINISH: MILL FINISHED OR POLYESTER POWDER COATED
- AIR-TIGHTNESS: EN1026:600 Pa, EN12207:CLASS 4
- WATER TIGHTNESS: EN1027:1050Pa, EN 12208 CLASS E1050
- LOAD: EN 12211: 1000Pa (=P2) DEVIATION <math>< \frac{1}{300}</math>
- STRENGTH 3000 Pa, EN 12210: CLASS 5
- TEST(S): EN 12101-2 SOFT BODY IMPACT TEST 1200J
- EXTRA: -EN 12101-2 TESTED TO 6.25 M<sup>2</sup>

**WILLIAM COX** COXDOME VENTRIA (SARV) CONTRACTORS INPUT TABLE

COXDOME VENTRIA (SARV) SMOKE VENTILATOR UNIT		
STRUCTURAL OPE INC. FINISHES		
FINISHED UPSTAND SIZE		
ROOF ANGLE		
FREE AREA REQUIRED		
SPECIFICATION PAINT FINISH		
VENTILATOR GLAZING TYPE		
AUTHORISED SIGNATURE		

NO.	REVISION	DATE
A	GENERAL REVISIONS	07/01/16

**WILLIAM COX**  
**WILLIAM COX LIMITED**  
 Cloverhill Industrial Estate,  
 Clondalkin, dublin 22.  
 Tel: (01) 4605400  
 Email: admin@williamcox.ie

**CONTRACT.**  
**TITLE.**  
 COXDOME VENTRIA (SARV)

**ARCHITECT.**  
**MAIN CONTRACTOR.**  
**SCALE.** DWG. BY. DWG. No.  
 DATE. 07/01/16 WCL/TD/100A