

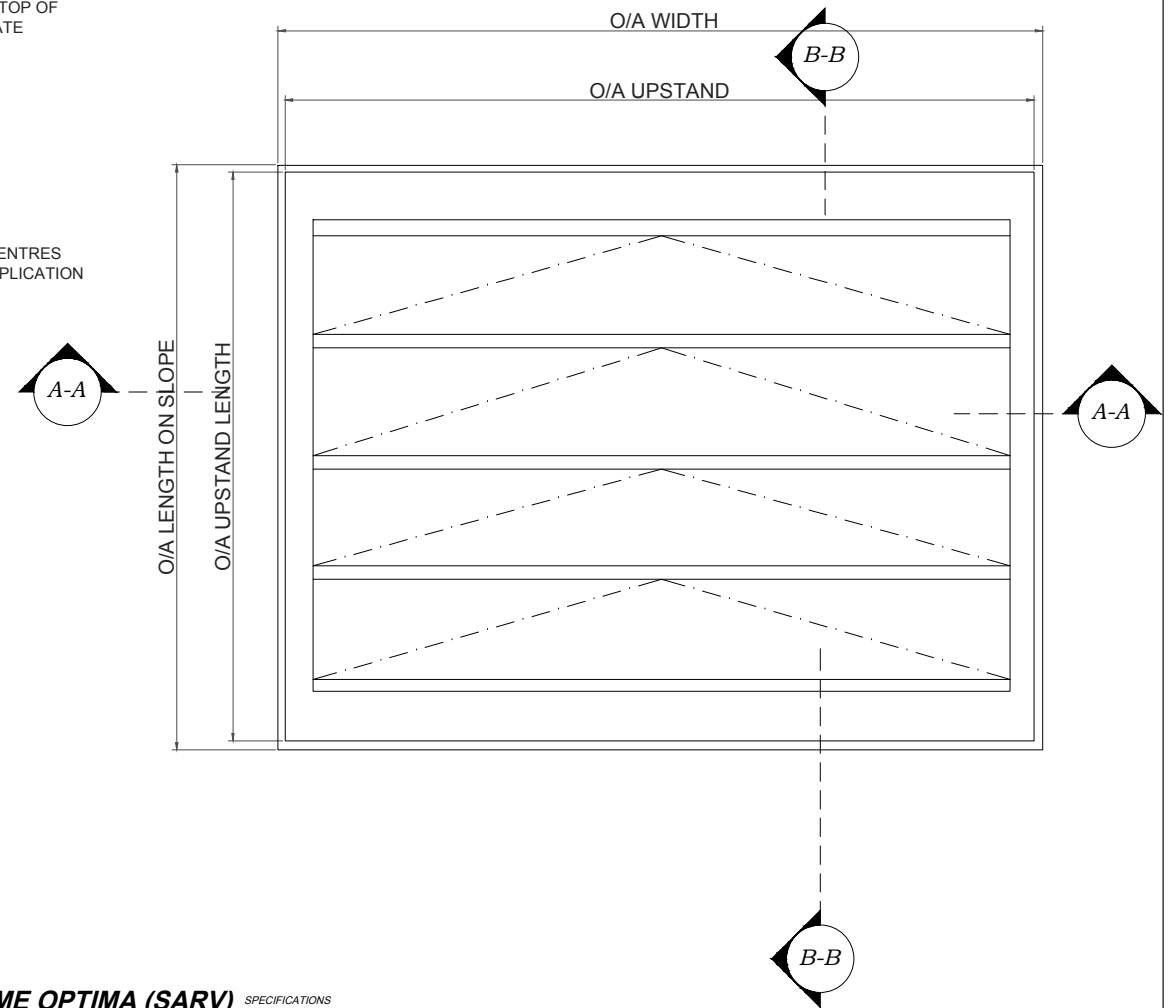
WILLIAM COX **COXDOME OPTIMA SARV SECTION A - A**
SCALE: NTS

SCAPA TAPE SEAL ALL ROUND TOP OF UPSTAND TO PROVIDE ADEQUATE WEATHER PROOFING.

FIXINGS: FIXINGS AT 350MM CENTRES
FIXINGS TO SUIT UPSTAND APPLICATION

ALL ROOF WEATHERING DRESSED UP THE PERIMETER & OVER THE UPSTAND TO BE PROVIDED BY THE BUILDER.

NOTE: MINIMUM UPSTAND HEIGHT REQUIREMENT 150mm.

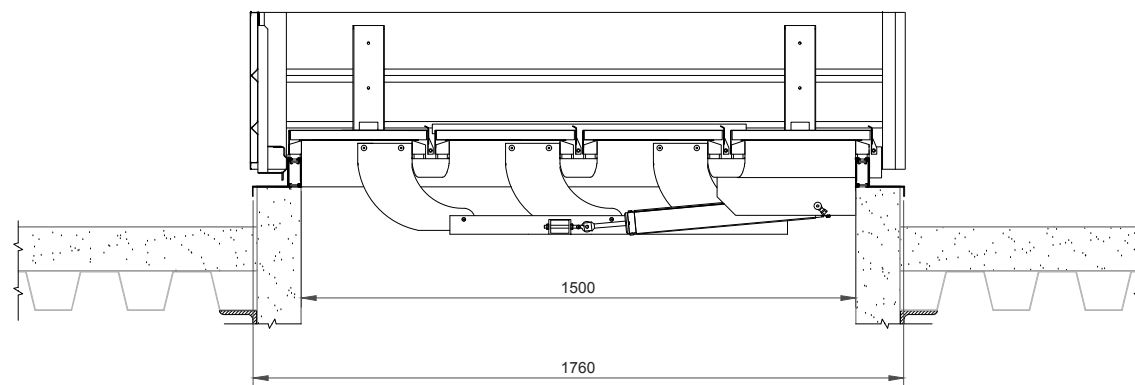


WILLIAM COX **COXDOME OPTIMA (SARV) SPECIFICATIONS**

- APPLICATION: TO SUIT BUILDERS PREPARED UPSTAND
- DESCRIPTION: THERMALLY SEPARATED NATURAL LOUVERED VENTILATOR, SUITABLE FOR VENTILATION PURPOSES AND SMOKE & HEAT VENTILATION
- OPERATION: SINGLE/ DOUBLE ACTION PNEUMATIC CYLINDER + CO₂ FIRE FUNCTION (PB/ P2B) SINGLE ACTION FAILSAFE PNEUMATIC CYLINDER (PBFS) 24V DC SPINDLE MOTOR (M24)
- FRAME TYPE: THERMALLY BROKEN ALUMINIUM
- GLAZING TYPE OPTIONS: GLASS, POLYCARBONATE, SANDWICH PANEL
- FINISH: MILL FINISHED OR POLYESTER POWDER COATED
- ACOUSTIC VALUES: WITH INSULATED ALUMINIUM FLAP Rw=26dB, WITH 6 WALL POLYCARBONATE Rw= 21dB, WITH GLASS FLAP 4-15-3.3.2 Rw= 31dB
- INSTALLATION ANGLE: 0-30° AND 90°
- PROTECTION: ENAMEL FINISH WITH 1 POLYESTER LAYER POWDER COATING, LAYER THICKNESS 60µm, IN STANDARD RAL COLOUR(GROUP 1) / ANODISED
- AIR TIGHTNESS: EN 1026: 600Pa, EN 12207: CLASS 4
- AIR LEAKAGE: 0.3m³/hrs/m² AT 50 Pa
- WATER TIGHTNESS: EN 1027: 1050 Pa, EN 12208: CLASS E 1050
- RESISTANCE TO VARYING WIND LOAD: EN12211:800Pa (=P2) DEVIATION <math>< \frac{1}{300}</math>
- STRENGTH 2400 Pa, EN 12210: CLASS 4
- REACTION TO FIRE: EN 13501-1 +A1.2009, B-s2, d0
- TEST(S): EN 12101-2

WILLIAM COX **COXDOME OPTIMA (SARV) CONTRACTORS INPUT TABLE**

COXDOME OPTIMA (SARV) SMOKE VENTILATOR UNIT	
STRUCTURAL OPE INC. FINISHES	
FINISHED UPSTAND SIZE	
ROOF ANGLE	
FREE AREA REQUIRED	
SPECIFICATION PAINT FINISH	
VENTILATOR GLAZING TYPE	
AUTHORISED SIGNATURE	



WILLIAM COX **COXDOME OPTIMA SARV SECTION B - B**
SCALE: NTS

A GENERAL REVISIONS	13/07/15
NO. REVISION	DATE



WILLIAM COX LIMITED
Cloverhill Industrial Estate,
Clondalkin, Dublin 22.
Tel: (01) 4605400
Email: admin@williamcox.ie

CONTRACT.	
TITLE. COXDOME OPTIMA (SARV) 150-004	
ARCHITECT.	
MAIN CONTRACTOR.	
SCALE.	DWG. BY. DWG. No.
DATE. 13/07/15	WCL/TD/117A