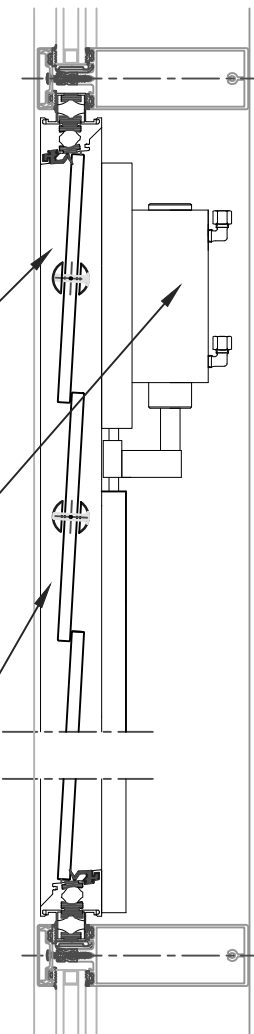


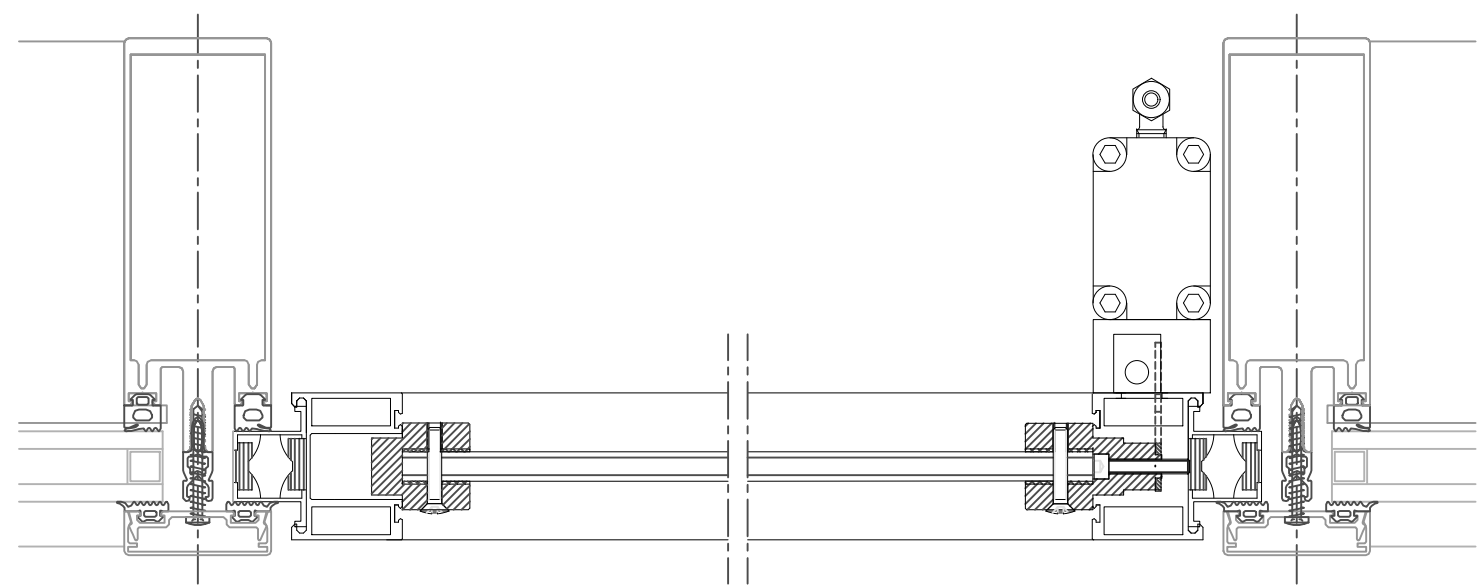
UNINSULATED FULLY GLAZED LOUVRE VENTILATOR.
THE LOUVRE BLADES COME SINGLE GLAZED WITH
TOUGHENED GLASS. THE GLASS THICKNESS CAN BE
6, 8 OR 10

OPERATING SYSTEMS CAN BE ELECTRIC 230V OR
24V DOUBLE ACTING COMPRESSED AIR OR
MANUAL OPERATION

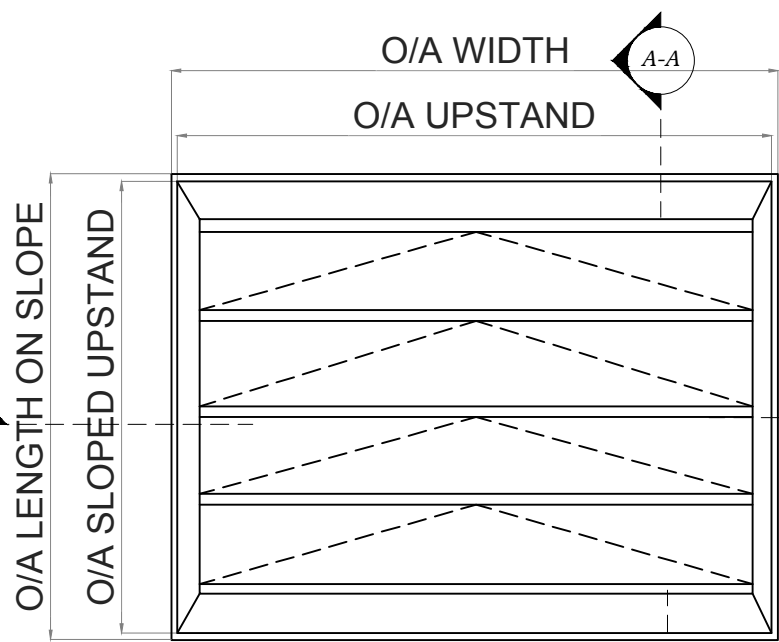
GLASS LOUVRES WILL BE CENTRE PIVOTING, MOHAIR
SEALS CAN BE PROVIDED



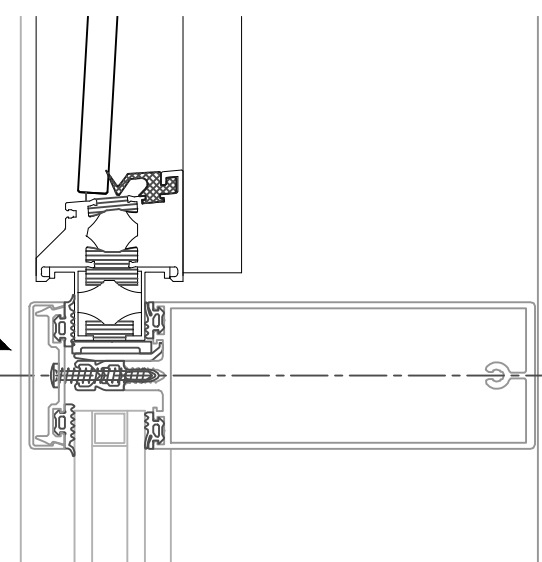
WILLIAM COX **COXDOME ESTRA** SECTION A-A
SCALE: NTS



WILLIAM COX **COXDOME ESTRA** SECTION B-B
SCALE: NTS



COXDOME ESTRA ELEVATION VIEW
SCALE: NTS



WILLIAM COX **COXDOME ESTRA** MULLION DETAIL
SCALE: NTS

WILLIAM COX **COXDOME ESTRA** SPECIFICATIONS

- APPLICATION: TO BE GLAZED INTO SPECIFIC SYSTEM
- DESCRIPTION: NATURAL LOUVERED VENTILATOR, SUITABLE FOR VENTILATION PURPOSES AND AIR SUPPLY
- OPERATION: MANUAL OPERATION (HAND SPINDLE OR LEVER) DOUBLE ACTION PNEUMATIC CYLINDER (P2)/ SINGLE ACTION PNEUMATIC CYLINDER (P-FS)/ 24V DC SPINDLE MOTOR/ 24V DC SPINDLE MOTOR + TRANSFORMER/ RECTIFIER (M230)
- FRAME TYPE: THERMALLY SEPARATED
- ACOUSTIC VALUES: 19 dB WITH INSULATED GLASS TYPE 5-15-4
- PROTECTION: TO MATCH GLASS WALL CONSTRUCTION/ ENAMEL FINISH WITH *** LAYER POLYESTER POWDER COATING, LAYER THICKNESS *** mu, IN STANDARD RAL COLOUR (GROUP***)
- TEST(S): EN 12101-2

WILLIAM COX **COXDOME ESTRA** CONTRACTORS INPUT TABLE

COXDOME ESTRA SMOKE VENTILATOR UNIT		
STRUCTURAL OPE INC. FINISHES		
FINISHED UPSTAND SIZE		
ROOF ANGLE		
FREE AREA REQUIRED		
SPECIFICATION PAINT FINISH		
VENTILATOR GLAZING TYPE		
AUTHORISED SIGNATURE		

A GENERAL REVISIONS	13/07/15
NO. REVISION	DATE



WILLIAM COX LIMITED
Cloverhill Industrial Estate,
Clondalkin, Dublin 22.
Tel: (01) 4605400
Email: admin@williamcox.ie

CONTRACT.		
TITLE. COXDOME ESTRA		
ARCHITECT.		
MAIN CONTRACTOR.		
SCALE.	DWG. BY.	DWG. No.
DATE. 13/07/15		WCL/TD/111A