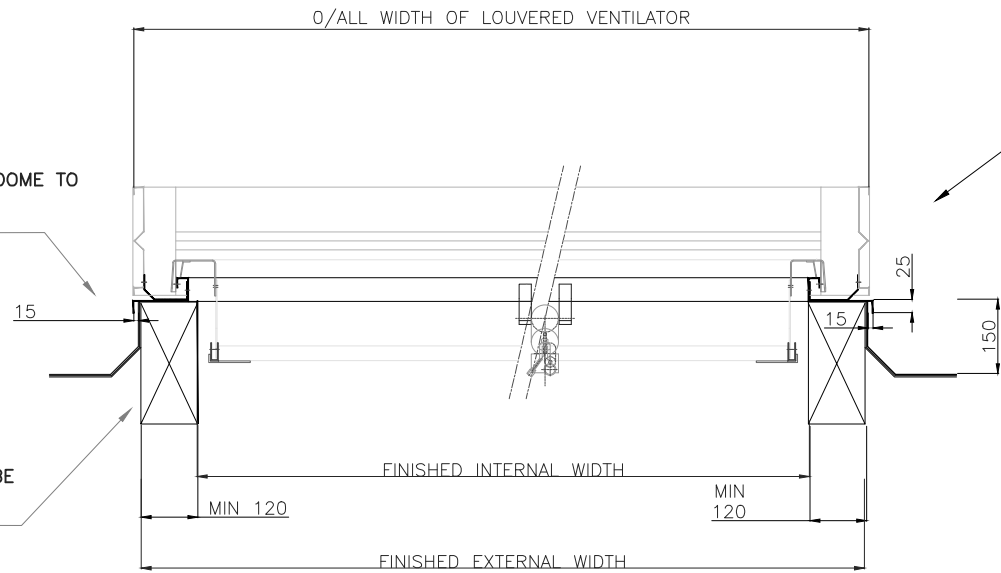


15mm TOLERANCE EITHER SIDE OF COXDOME TO ENSURE PERFECT FITTING

BUILDERS INSULATED UPSTAND CAN BE EITHER STEEL, TIMBER OR CONCRETE

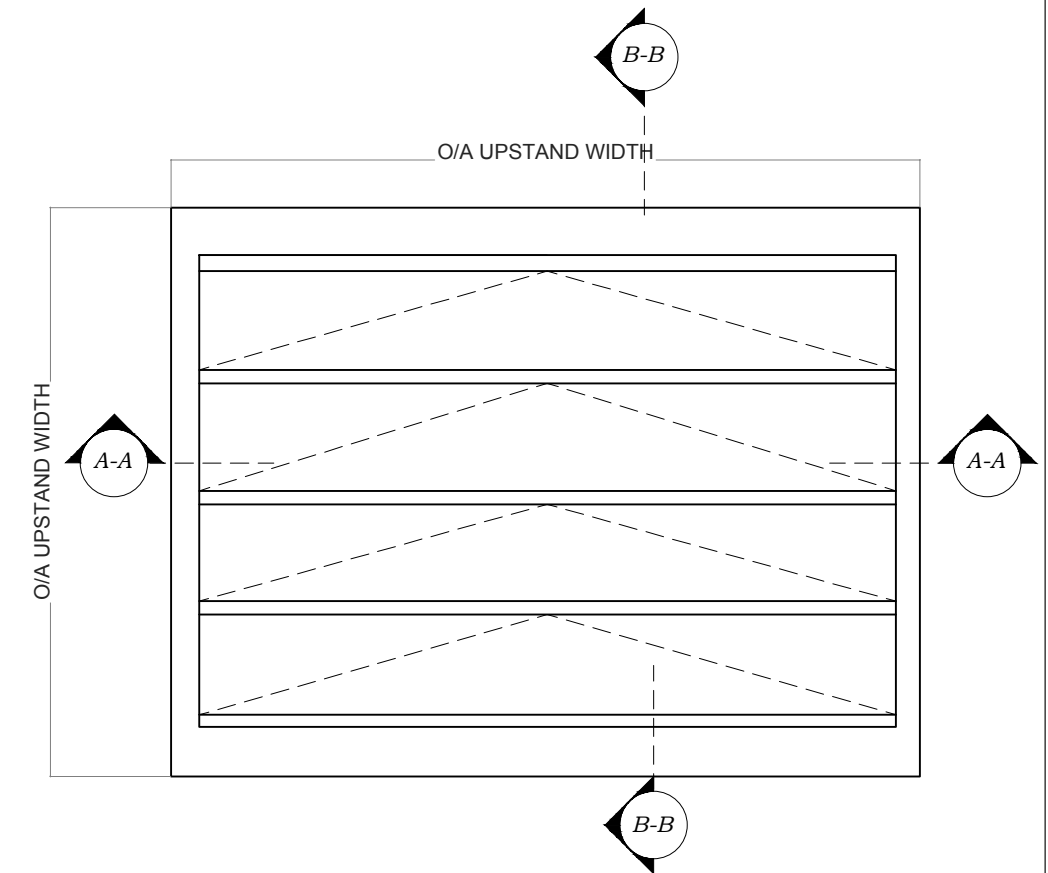


SCAPA TAPE SEAL ALL ROUND TOP OF UPSTAND TO PROVIDE ADEQUATE WEATHER PROOFING.

FIXINGS
FIXINGS AT 350MM CENTRES
FIXINGS TO SUIT UPSTAND APPLICATION

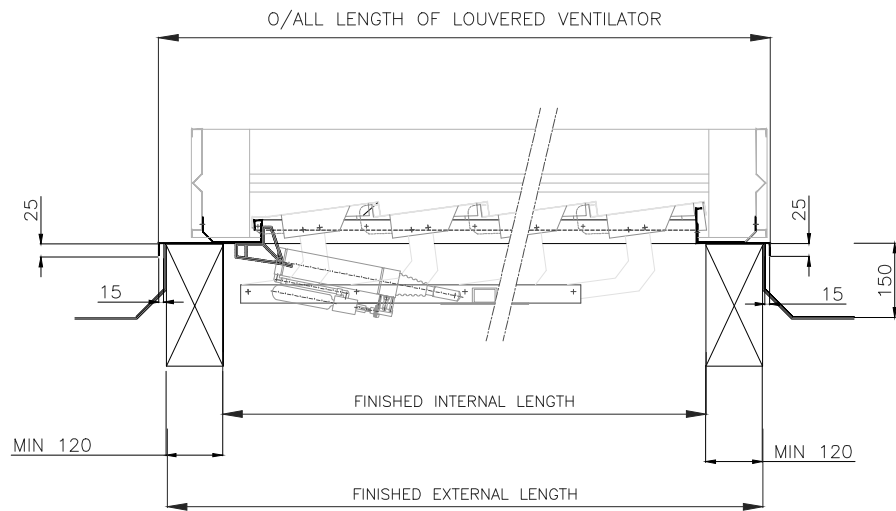
ALL ROOF WEATHERING DRESSED UP THE PERIMETER & OVER THE UPSTAND TO BE PROVIDED BY THE BUILDER.

NOTE: MINIMUM UPSTAND HEIGHT REQUIREMENT 150mm.



WILLIAM COX COXDOME EURA (SARV) TO BUILDERS UPSTAND SECTION A - A

WILLIAM COX COXDOME EURA (SARV) TO BUILDERS UPSTAND SECTION A - A
SCALE: NTS



WILLIAM COX COXDOME EURA (SARV) TO BUILDERS UPSTAND SECTION B - B
SCALE: NTS

WILLIAM COX COXDOME EURA (SARV) SPECIFICATIONS

- APPLICATION: TO SUIT BUILDERS PREPARED UPSTAND
- FRAME TYPE: THERMALLY BROKEN ALUMINIUM
- GLAZING TYPE OPTIONS: GLASS, POLYCARBONATE, SANDWICH PANEL
- FINISH: MILL FINISHED OR POLYESTER POWDER
- COATED
- AIR-TIGHTNESS: EN1026:600 Pa, EN12207:CLASS 4
- WATERTIGHTNESS: EN1027:1050Pa, EN 12208 CLASS e1050
- LOAD: WN1211: 1000Pa (=P2) DEVIATION ±300
- STRENGTH 3000Pa EN12210 CLASS 5
- TEST(S): SOFT BODY IMPACT TEST 1200J
- VENTILATION TEST(S): EN-12101-2

WILLIAM COX COXDOME EURA (SARV) CONTRACTORS INPUT TABLE

COXDOME EURA (SARV) SMOKE VENTILATOR UNIT		
STRUCTURAL OPENING FINISHES		
FINISHED UPSTAND SIZE		
ROOF ANGLE		
FREE AREA REQUIRED		
SPECIFICATION PAINT FINISH		
VENTILATOR GLAZING TYPE		
AUTHORISED SIGNATURE		

A GENERAL REVISIONS	13/07/15
NO. REVISION	DATE

WILLIAM COX
WILLIAM COX LIMITED
 Cloverhill Industrial Estate,
 Clondalkin, Dublin 22.
 Tel: (01) 4605400
 Email: admin@williamcox.ie

CONTRACT.
TITLE.
 COXDOME EURA (SARV) LOW BASE

ARCHITECT.
MAIN CONTRACTOR.

SCALE.	DWG. BY.	DWG. No.
DATE: 13/07/15		WCL/TD/104A