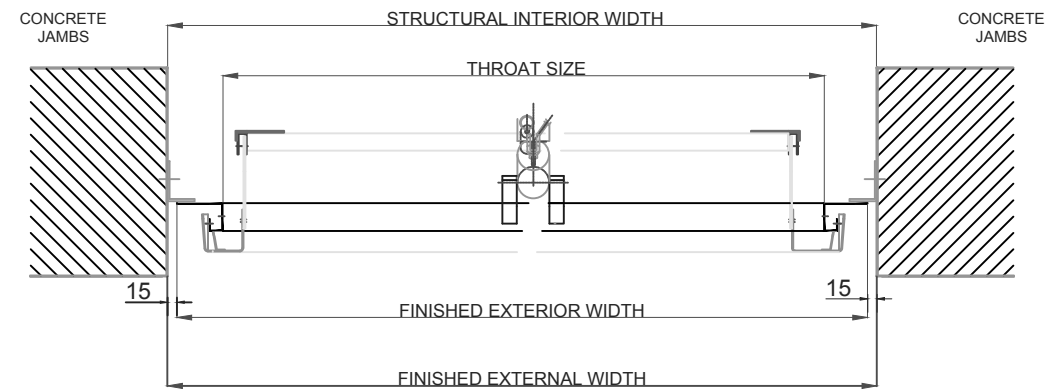
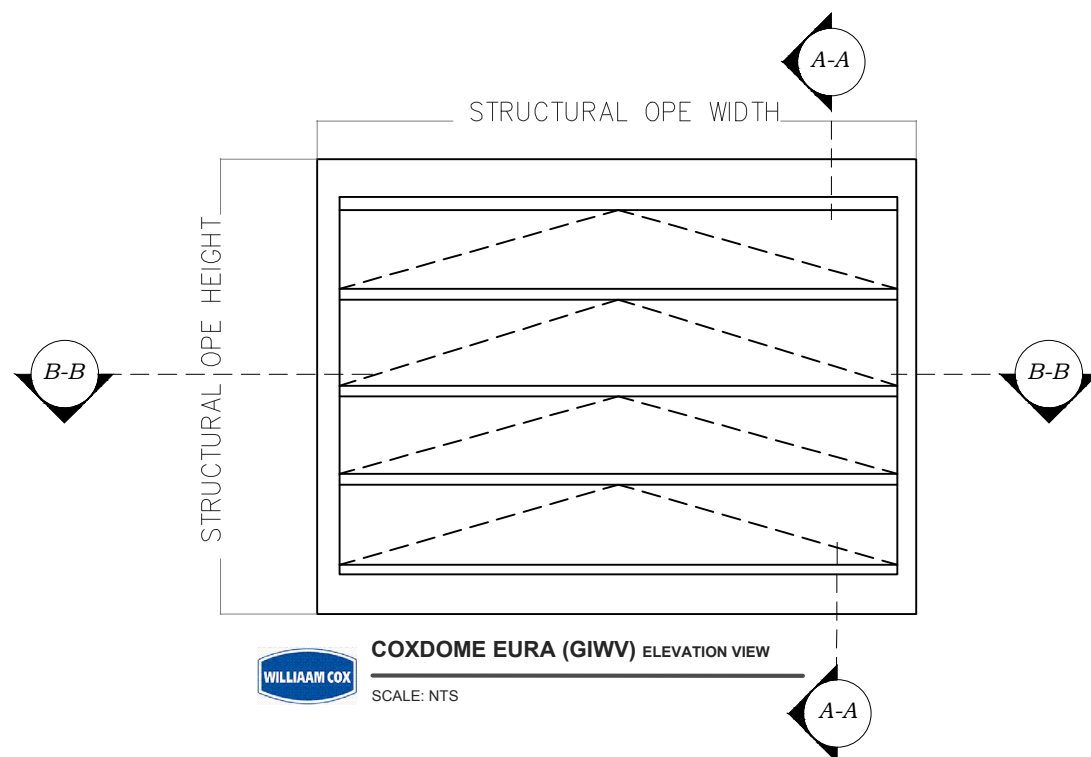


COXDOME EURA (GIWV) TYPICAL VERTICAL SECTION
 WILLIAM COX
 SCALE: NTS



COXDOME EURA (SARV) TYPICAL PLAN SECTION
 WILLIAM COX
 SCALE: NTS



COXDOME EURA (GIWV) ELEVATION VIEW
 WILLIAM COX
 SCALE: NTS

COXDOME EURA (GIWV) SPECIFICATIONS

- APPLICATION: TO BE GLAZED INTO SPECIFIC SYSTEM
- FRAME TYPE: THERMALLY BROKEN ALUMINIUM
- GLAZING TYPE OPTIONS: GLASS, POLYCARBONATE, SANDWICH PANEL
- FINISH: MILL FINISHED OR POLYESTER POWDER
- COATED
- AIR-TIGHTNESS: EN1026:600 Pa, EN12207:CLASS 4
- WATERTIGHTNESS: EN1027:1050Pa, EN 12208 CLASS e1050
- LOAD: WN1211: 1000Pa (=P2) DEVIATION ±300
- STRENGTH 3000Pa EN12210 CLASS 5
- TEST(S): SOFT BODY IMPACT TEST 1200J
- VENTILATION TEST(S): EN-12101-2

COXDOME EURA (GIWV) CONTRACTORS INPUT TABLE

COXDOME EURA (GIWV) SMOKE VENTILATOR UNIT		
STRUCTURAL OPE INC. FINISHES		
FINISHED UPSTAND SIZE		
ROOF ANGLE		
FREE AREA REQUIRED		
SPECIFICATION PAINT FINISH		
VENTILATOR GLAZING TYPE		
AUTHORISED SIGNATURE		

A GENERAL REVISIONS		13/07/15
NO.	REVISION	DATE



WILLIAM COX LIMITED

Cloverhill Industrial Estate,
 Clondalkin, Dublin 22.

Tel: (01) 4605400
 Email: admin@williamcox.ie

CONTRACT.

TITLE.
COXDOME EURA (GIWV)

ARCHITECT.

MAIN CONTRACTOR.

SCALE.	DWG. BY.	DWG. No.
DATE: 13/07/15		WCL/TD/102A