

COXDOME DUO THERMA (SARV) TO BUILDERS UPSTAND SECTION A - A

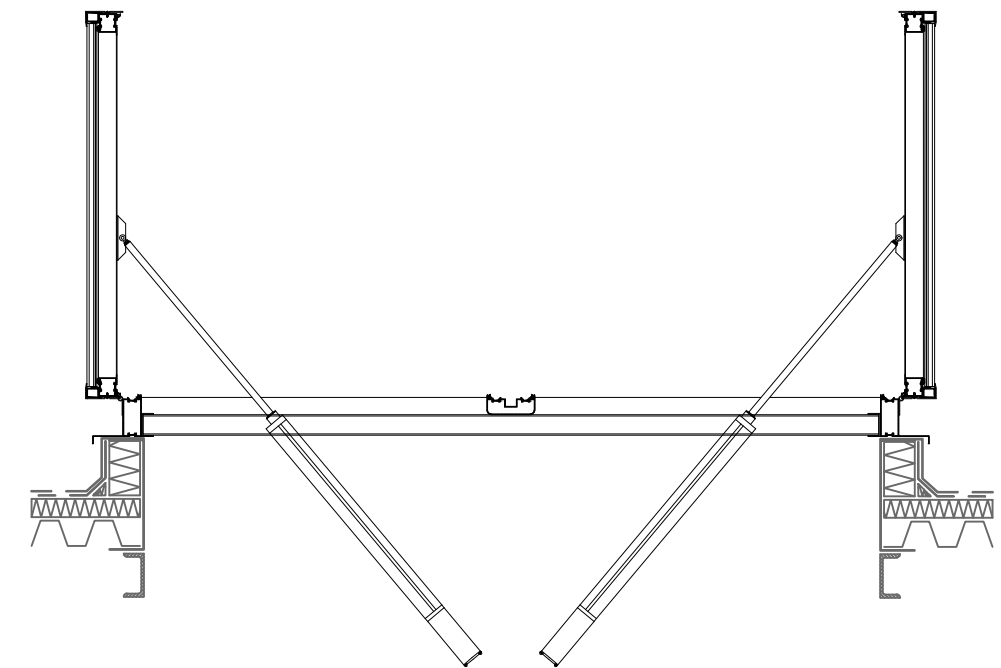
SCALE: NTS

SCAPA TAPE SEAL ALL ROUND TOP OF UPSTAND TO PROVIDE ADEQUATE WEATHER PROOFING.

FIXINGS
FIXINGS AT 350MM CENTRES
FIXINGS TO SUIT UPSTAND APPLICATION

ALL ROOF WEATHERING
DRESSED UP THE PERIMETER
& OVER THE UPSTAND TO BE
PROVIDED BY THE BUILDER.

NOTE: MINIMUM UPSTAND
HEIGHT REQUIREMENT
150mm.



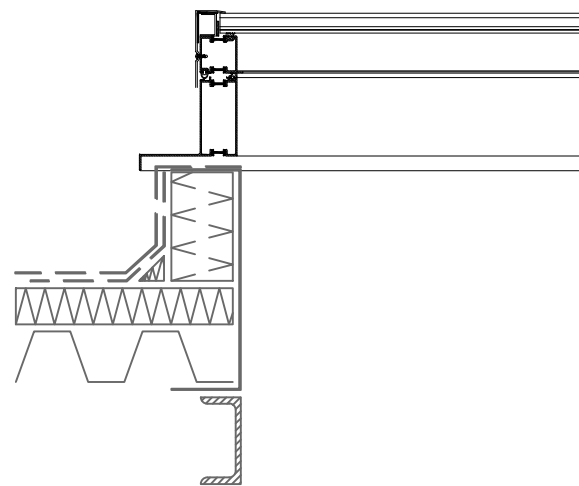
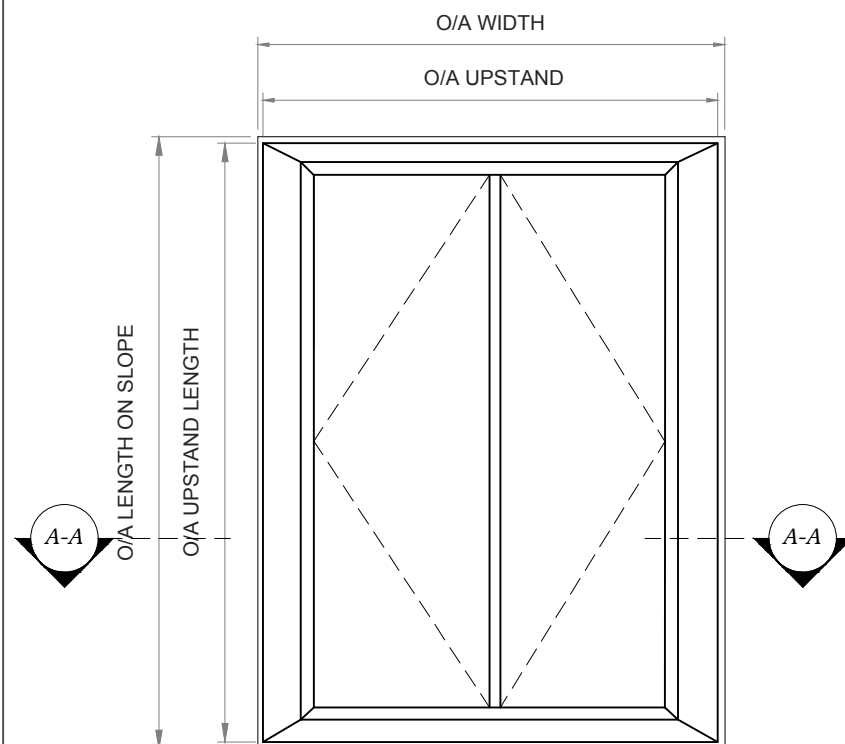
COXDOME DUO THERMA (SARV) TO BUILDERS UPSTAND SECTION A - A (OPEN POSITION)

SCALE: NTS



COXDOME DUO THERMA (SARV) TO BUILDERS UPSTAND SECTION B - B

SCALE: NTS



COXDOME DUO THERMA (SARV) MULLION DETAIL

SCALE: NTS



COXDOME DUO THERMA (SARV) SPECIFICATIONS

- APPLICATION: TO SUIT BUILDERS PREPARED UPSTAND
- DESCRIPTION: NATURAL DOUBLE FLAP VENTILATOR, SUITABLE FOR VENTILATION PURPOSES
- OPERATION: DOUBLE ACTION PNEUMATIC CYLINDER (P2) 24 V DC SPINDLE MOTOR (M24)
- FRAME TYPE: THERMALLY BROKEN ALUMINIUM
- GLAZING TYPE OPTIONS: GLASS, POLYCARBONATE, SANDWICH PANEL
- FINISH: MILL FINISHED OR POLYESTER POWDER COATED
- ACOUSTIC VALUES: DUO THERMA TG 31dB TG ACCOUSTIC 34 dB OR 44dB
- INSTALLATION: ON PREFORMED UPSTAND/ IN GLASS ROOF CONSTRUCTION/SURFACE MOUNTED
- PROTECTION: TO MATCH GLASS ROOF CONSTRUCTION/ ENAMEL FINISH WITH *** LAYER POLYESTER POWDER COATING, LAYER THICKNESS *** μ , IN STANDARD RAL COLOUR (GROUP ***) / ANODISED/ UNTREATED (MILLED ALUMINIUM)
- TEST(S): SOFT BODY IMPACT TEST 1200J



COXDOME DUO THERMA (SARV) CONTRACTORS INPUT TABLE

COXDOME DUO THERMA (SARV) SMOKE VENTILATOR UNIT	
STRUCTURAL OPE INC. FINISHES	
FINISHED UPSTAND SIZE	
ROOF ANGLE	
FREE AREA REQUIRED	
SPECIFICATION PAINT FINISH	
VENTILATOR GLAZING TYPE	
AUTHORISED SIGNATURE	

A GENERAL REVISION
NO. REVISION

13/07/15
DATE



WILLIAM COX LIMITED

Cloverhill Industrial Estate,
Clondalkin, Dublin 22.

Tel: (01) 4605400

Email: admin@williamcox.ie

CONTRACT.

TITLE.
**COXDOME DUO THERMA (SARV)
TG GLASS**

ARCHITECT.

MAIN CONTRACTOR.

SCALE. DWG. BY. DWG. No.

DATE.
13/07/15

WCL/TD/115A